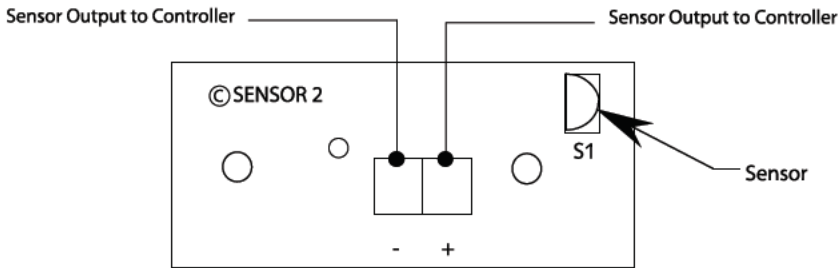


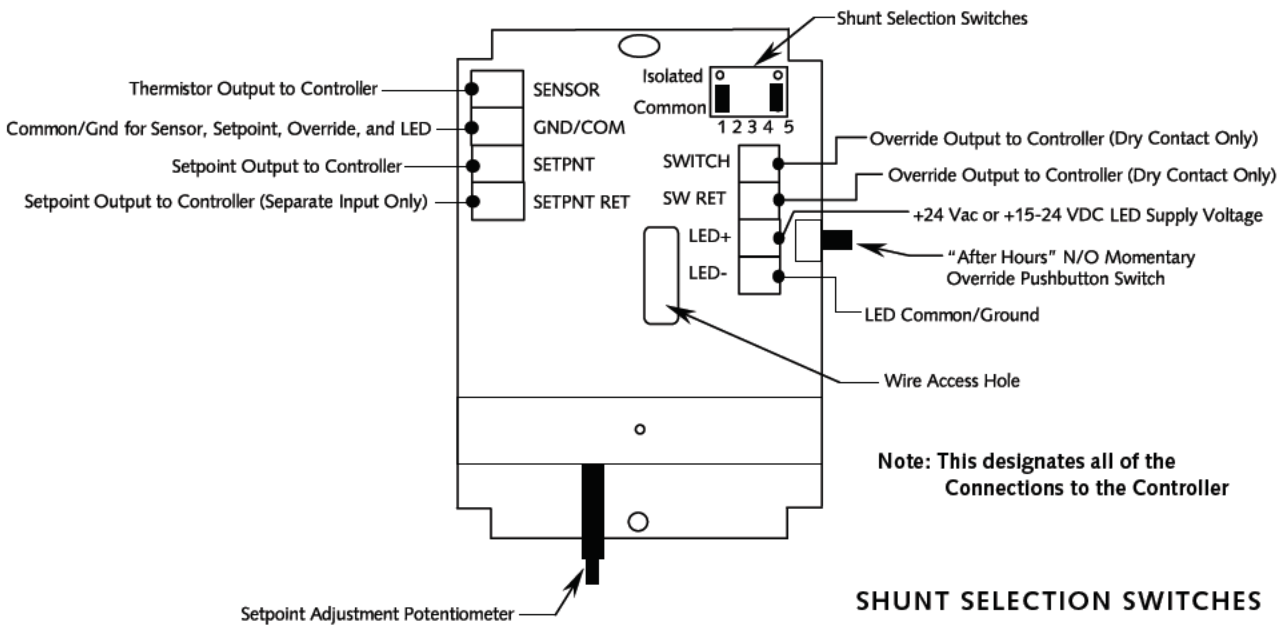
# ET Series

ETR500 Series  
Temperature Sensors for Continuum

Wiring Diagram for all 2-wire Resistive Room Temperature Sensors



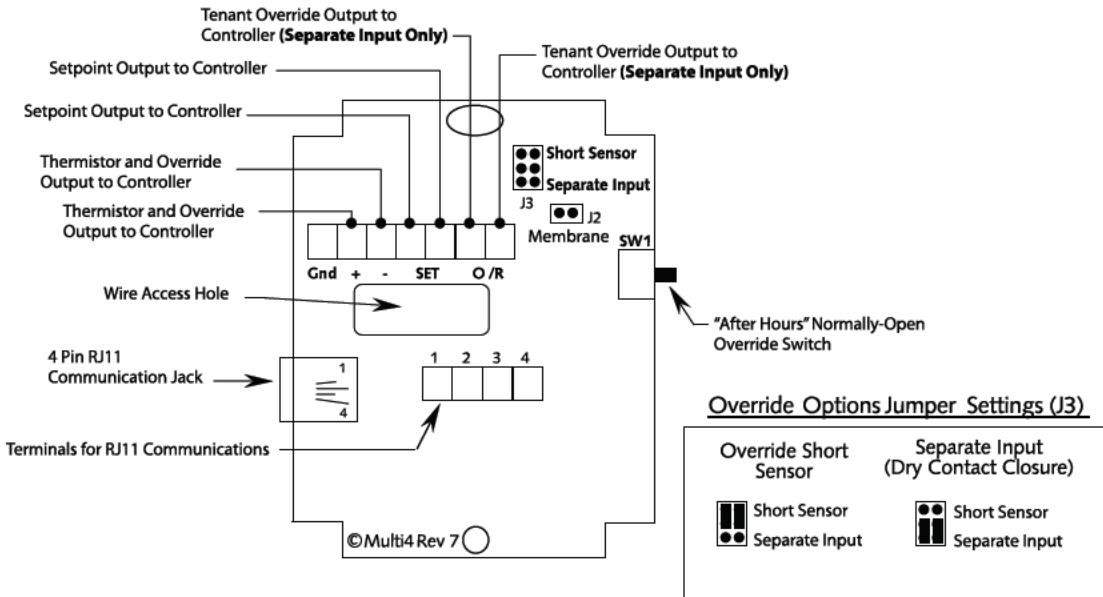
Room Temperature Sensor for Continuum with LED and Override



### SHUNT SELECTION SWITCHES

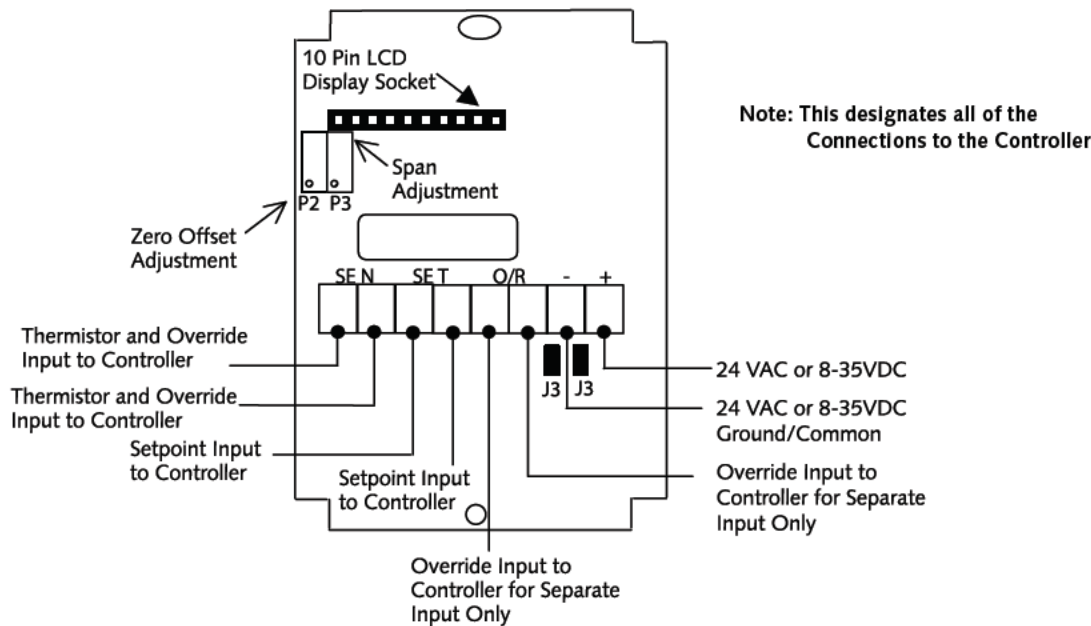


### Room Temperature Sensor for Continuum with Communication Jack and Override



Note: (J2) Is only used for Connection of the Membrane Switch.

### Room Temperature Sensor for Continuum with LCD



On October 1st, 2009, TAC became the Buildings business of its parent company Schneider Electric. This document reflects the visual identity of Schneider Electric, however there remains references to TAC as a corporate brand in the body copy. As each document is updated, the body copy will be changed to reflect appropriate corporate brand changes.